

CNG Maxi KIT

Product Catalogue



VERSUS[®] **FHT**
AUTO GAS equipment

CNG Maxi KIT

We are designer, manufacturer and supplier of components and solutions for alternative fuels in the area of gas injection systems automotive conversions.

From this catalogue you will learn about our range of products we have on offer.

FHT VERSUSGAS offers conversion kits for vehicles both for **LPG** as well as **CNG** fuel.

Each **Maxi KIT** contains **Mini KIT** hardware plus all necessary mounting parts.

Main parts of CNG conversion KIT



V-Controller ECU



Tauros Reducer



FH02 injectors

Each KIT consists of main parts, accessories and mounting hardware in various quantity and configurations. Maxi KIT does not consist GAS tank. It is upon the user and vehicle parameters which type of tank can be installed. Using wrong mounting hardware or third-party accessories can result in life / health hazard or technical malfunction. FHT VERSUSGAS does not take the responsibility for it.

CNG Maxi KIT

Gas conversion set for 4-cylinder engines

Product: V4CO/TAU/FH02-4/F1/M/X14.4

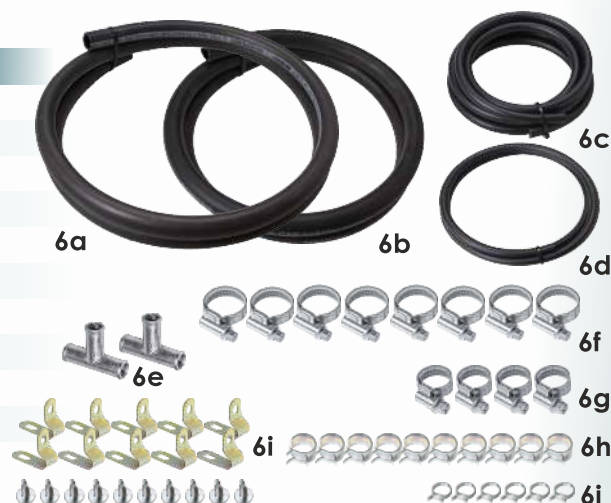
Cat. no.: 1CO/4/1/1/2/71

The most popular KIT dedicated to **4-cylinder** engines up to **200 HP** power. FH02-4 cyl injector body determines that total length of $\phi 5$ mm gas hose between inlet manifold nozzles and calibration nozzles should not exceed 20 cm. Please assure that there is enough space to install FH02-4 injector.

Part name	Part number	Qty	
1a	ECU V4 OBD	EL.V4.OBD	1
1b	Harness P4 CNG OBD	EL.P4.CO	1
1c	Map-sensor XFP1	EL.MAP.M	1
1d	Reducer's temp. sensor	EL.CTR	1
1e	Gas temp. STD sensor	EL.CTG.B	1
1f	Fuse 10A	EL.B.10A	1
1g	Fuse case	EL.B.OBB	1
1h	Change-over switch	EL.SW.OBD	1
1i	Spade connector	EL.AK.ZL.Z	2
1j	Ring connector	EL.AK.ZL.O	2
1k	Connector insulator	EL.AK.OB.EL	2
1l	T-fitting for vacuum	EL.AK.TRVAC	1
2	Tauros reducer with mounting KIT	RD.TAU.KPL	1
3a	FH02 Injector body 4-cyl.	LW.4.BD	1
3b	Inlet manifold nozzle IM	LW.DKL	5
3c	FH02 damper	LW.DW	2
3d	Calibration nozzle 1.5 mm	LW.DK15	4
4	Filter 1-1 12 mm	F1	1
5	Manometer VR-C01 set	M	1



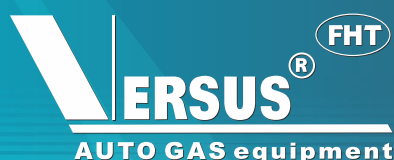
Part name	Part number	Qty	
6a	Water hose $\phi 8$ mm	MC.WW8	1.6 m
6b	Gas hose $\phi 12$ mm	MC.WG12	0.8 m
6c	Gas hose $\phi 5$ mm	MC.WG5	1.8 m
6d	Vacuum hose $\phi 5$ mm	MC.WV5	1.5 m
6e	Water T-fitting 16/8/16 mm	MC.T-WOD.M8	2
6f	Metal clamp 12-22	MC.OP12-22	8
6g	Metal clamp 10-16	MC.OP10-16	4
6h	Pressure hose clamp	MC.OPAML12	10
6i	Vacuum clamp	MC.OP5V	6
6j	Steel pipe support	MC.M	10



www.versusgas.com

+48 25 759 42 61

info@versusgas.com



FHT Export-Import
ul. Szczecinska 16G
05-300 Minsk Mazowiecki, POLAND

CNG Maxi KIT

Gas conversion set for 4-cylinder engines

Product: V4CO/TAU/2XFH02-2/F2/M/X22N

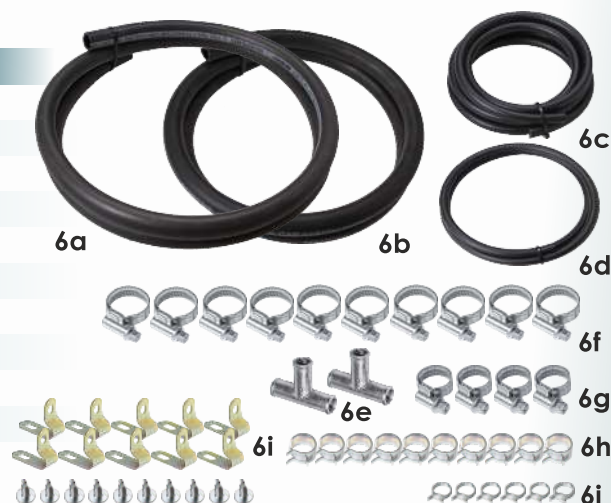
Cat. no.: 1CO/4/3/2/2/72N

The most popular KIT dedicated to **4-cylinder** engines up to **200 HP** power. KIT dedicated to boxer type engines. 2 pcs of Injector FH02-2 cyl. are included. Those injectors can be installed close to the inlet manifold nozzles, and short distance between inlet manifold nozzles and calibration nozzles can be preserved.

Part name	Part number	Qty	
1a	ECU V4 OBD	EL.V4.OBD	1
1b	Harness P4 CNG OBD	EL.P4.CO	1
1c	Map-sensor XFP1	EL.MAP.M	1
1d	Reducer's temp. sensor	EL.CTR	1
1e	Gas temp. STD sensor	EL.CTG.B	1
1f	Fuse 10A	EL.B.10A	1
1g	Fuse case	EL.B.OBB	1
1h	Change-over switch	EL.SW.OBD	1
1i	Spade connector	EL.AK.ZL.Z	2
1j	Ring connector	EL.AK.ZL.O	2
1k	Connector insulator	EL.AK.OB.EL	2
1l	T-fitting for vacuum	EL.AK.TRVAC	1
2	Tauros reducer with mounting KIT	RD.TAU.KPL	1
3a	FH02 Injector body 2-cyl.	LW.2.BD	2
3b	Inlet manifold nozzle IM	LW.DKL	5
3c	FH02 damper	LW.DW	2
3d	Calibration nozzle 1.5 mm	LW.DK15	4
4	Filter 1-2 12 mm	F2	1
5	Manometer VR-C01 set	M	1



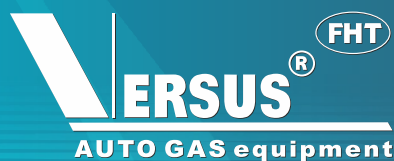
Part name	Part number	Qty	
6a	Water hose φ8 mm	MC.WW8	1.6 m
6b	Gas hose φ12 mm	MC.WG12	1.5 m
6c	Gas hose φ5 mm	MC.WG5	1.8 m
6d	Vacuum hose φ5 mm	MC.WV5	1.5 m
6e	Water T-fitting 16/8/16 mm	MC.T-WOD.M8	2
6f	Metal clamp 12-22	MC.OP12-22	10
6g	Metal clamp 10-16	MC.OP10-16	4
6h	Pressure hose clamp	MC.OPAML12	10
6i	Vacuum clamp	MC.OP5V	6
6j	Steel pipe support	MC.M	10



www.versusgas.com

+48 25 759 42 61

info@versusgas.com



FHT Export-Import
ul. Szczecińska 16G
05-300 Minsk Mazowiecki, POLAND

CNG Maxi KIT

Gas conversion set for 4-cylinder engines

Product: V4CO.1/TAU/4XFH02-1/F4.12/M/X410

Cat. no.: 1CO1/4/2/4/2/740

The most popular KIT dedicated to **4-cylinder** engines up to **200 HP** power. Separate FH02-1 cyl. injectors can be installed very close to the inlet manifold nozzles. Final length of $\varnothing 5$ mm gas hose between inlet manifold nozzles and calibration nozzles can be very short. Kit dedicated to cars where FH02-4 cyl. injectors cannot be installed.

Part name	Part number	Qty	
1a	ECU V4 OBD	EL.V4.OBD	1
1b	Harness P4 CNG OBD	EL.P4.CO	1
1c	Map-sensor XFP1	EL.MAP.M	1
1d	Reducer's temp. sensor	EL.CTR	1
1e	Gas temp. T sensor	EL.CTG.T	1
1f	Fuse 10A	EL.B.10A	1
1g	Fuse case	EL.B.OBB	1
1h	Change-over switch	EL.SW.OBD	1
1i	Spade connector	EL.AK.ZL.Z	2
1j	Ring connector	EL.AK.ZL.O	2
1k	Connector insulator	EL.AK.OB.EL	2
1l	T-fitting for vacuum	EL.AK.TRVAC	1
2	Tauros reducer with mounting KIT	RD.TAU.KPL	1
3a	FH02 Injector body 1-cyl.	LW.1.BD	4
3b	Inlet manifold nozzle IM	LW.DKL	4
3c	Calibration nozzle 1.5 mm	LW.DK15	4
4	Filter 1-4 12/7 mm	F4.12.2	1
5	Manometer VR-C01 set	M	1



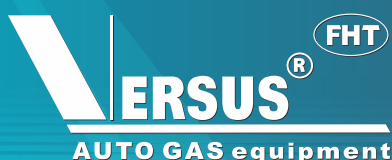
Part name	Part number	Qty	
6a	Water hose $\varnothing 8$ mm	MC.WW8	1.6 m
6b	Gas hose $\varnothing 12$ mm	MC.WG12	0.8 m
6c	Gas hose $\varnothing 5$ mm	MC.WG5	1.8 m
6d	Gas hose $\varnothing 6$ mm	MC.WG6	1.6 m
6e	Vacuum hose $\varnothing 5$ mm	MC.WV5	1.5 m
6f	Water T-fitting 16/8/16 mm	MC.T-WOD.M8	2
6g	Metal clamp 12-22	MC.OP12-22	8
6h	Metal clamp 10-16	MC.OP10-16	4
6i	Metal clamp 8-12	MC.OP8-12	8
6j	Pressure hose clamp	MC.OPAML12	10
6k	Vacuum clamp	MC.OP5V	6
6l	Steel pipe support	MC.M	10
6m	Inlet manifold nozzle IM	LW.DKL	1



www.versusgas.com

+48 25 759 42 61

info@versusgas.com



FHT Export-Import
ul. Szczecińska 16G
05-300 Minsk Mazowiecki, POLAND

CNG Maxi KIT

Gas conversion set for 6-cylinder engines

Product: V6CO/TAU/2XFH02-3/F2/M/X23S

Cat. no.: 6CO/4/4/2/2/76S

The most popular KIT dedicated to **6-cylinder** engines up to **200 HP** power.
2 pcs of Injector FH02 3 cyl. are included.

Part name	Part number	Qty	
1a	ECU V6 OBD	EL.V6.OBD	1
1b	Harness P6 CNG OBD	EL.P6.CO	1
1c	Map-sensor XFP1	EL.MAP.M	1
1d	Reducer's temp. sensor	EL.CTR	1
1e	Gas temp. STD sensor	EL.CTG.B	1
1f	Fuse 10A	EL.B.10A	1
1g	Fuse case	EL.B.OBB	1
1h	Change-over switch	EL.SW.OBD	1
1i	Spade connector	EL.AK.ZL.Z	2
1j	Ring connector	EL.AK.ZL.O	2
1k	Connector insulator	EL.AK.OB.EL	2
1l	T-fitting for vacuum	EL.AK.TRVAC	1
2	Tauros reducer with mounting KIT	RD.TAU.KPL	1
3a	FH02 Injector body 3-cyl.	LW.3.BD	2
3b	Inlet manifold nozzle IM	LW.DKL	7
3c	FH02 damper	LW.DW	4
3d	Calibration nozzle 1.5 mm	LW.DK15	6
4	Filter 1-2 12 mm	F2	1
5	Manometer VR-C01 set	M	1



Part name	Part number	Qty	
6a	Water hose ϕ 8 mm	MC.WW8	2 m
6b	Gas hose ϕ 12 mm	MC.WG12	1.5 m
6c	Gas hose ϕ 5 mm	MC.WG5	2.8 m
6d	Vacuum hose ϕ 5 mm	MC.WV5	1.5 m
6e	Water T-fitting 16/8/16 mm	MC.T-WOD.M8	2
6f	Metal clamp 12-22	MC.OP12-22	10
6g	Metal clamp 10-16	MC.OP10-16	4
6h	Pressure hose clamp	MC.OPAML12	14
6i	Vacuum clamp	MC.OP5V	6
6j	Steel pipe support	MC.M	10



www.versusgas.com

+48 25 759 42 61

info@versusgas.com

VERSUS[®]
AUTO GAS equipment

FHT

FHT Export-Import
ul. Szczecińska 16G
05-300 Minsk Mazowiecki, POLAND

CNG Maxi KIT

Gas conversion set for 6-cylinder engines

Product: V6CO/TAU/2XFH02-3/F1.1/M/X23T

Cat. no.: 6CO/4/4/11/2/77T

The most popular KIT dedicated to **6-cylinder** engines up to **250 HP** power.
2 pcs of Injector FH02-3 cyl. are included.

Part name	Part number	Qty	
1a	ECU V6 OBD	EL.V6.OBD	1
1b	Harness P6 CNG OBD	EL.P6.CO	1
1c	Map-sensor XFP1	EL.MAP.M	1
1d	Reducer's temp. sensor	EL.CTR	1
1e	Gas temp. STD sensor	EL.CTG.B	1
1f	Fuse 10A	EL.B.10A	1
1g	Fuse case	EL.B.OBB	1
1h	Change-over switch	EL.SW.OBD	1
1i	Spade connector	EL.AK.ZL.Z	2
1j	Ring connector	EL.AK.ZL.O	2
1k	Connector insulator	EL.AK.OB.EL	2
1l	T-fitting for vacuum	EL.AK.TRVAC	1
2	Tauros reducer with mounting KIT	RD.TAU.KPL	1
3a	FH02 Injector body 3-cyl.	LW.3.BD	2
3b	Inlet manifold nozzle IM	LW.DKL	7
3c	FH02 damper	LW.DW	4
3d	Calibration nozzle 1.5 mm	LW.DK15	6
4a	Filter 1-1 12 mm	F1.1	2
4b	Gas Y-fitting	F.Y	1
5	Manometer VR-C01 set	M	1



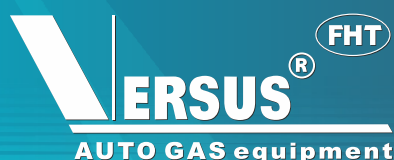
Part name	Part number	Qty	
6a	Water hose ϕ 8 mm	MC.WW8	2 m
6b	Gas hose ϕ 12 mm	MC.WG12	1.5 m
6c	Gas hose ϕ 5 mm	MC.WG5	2.8 m
6d	Vacuum hose ϕ 5 mm	MC.WV5	1.5 m
6e	Water T-fitting 16/8/16 mm	MC.T-WOD.M8	2
6f	Metal clamp 12-22	MC.OP12-22	14
6g	Metal clamp 10-16	MC.OP10-16	4
6h	Pressure hose clamp	MC.OPAML12	14
6i	Vacuum clamp	MC.OP5V	6
6j	Steel pipe support	MC.M	10



www.versusgas.com

+48 25 759 42 61

info@versusgas.com



FHT Export-Import
ul. Szczecińska 16G
05-300 Minsk Mazowiecki, POLAND

CNG Maxi KIT

Gas conversion set for 6-cylinder engines

Product: V6CO.1/TAU/6XFH02-1/F2.3/M/X61U

Cat. no.: 6CO1/4/8/23/2/75U

The most popular KIT dedicated to **6-cylinder** engines **up to 250 HP** power. 6 pcs of Injector FH02-1 cyl. included.

Part name	Part number	Qty	
1a	ECU V6 OBD	EL.V6.OBD	1
1b	Harness P6 CNG OBD	EL.P6.CO	1
1c	Map-sensor XFP1	EL.MAP.M	1
1d	Reducer's temp. sensor	EL.CTR	1
1e	Gas temp. T sensor	EL.CTG.T	1
1f	Fuse 10A	EL.B.10A	1
1g	Fuse case	EL.B.OBB	1
1h	Change-over switch	EL.SW.OBD	1
1i	Spade connector	EL.AK.ZL.Z	2
1j	Ring connector	EL.AK.ZL.O	2
1k	Connector insulator	EL.AK.OB.EL	2
1l	T-fitting for vacuum	EL.AK.TRVAC	1
2	Tauros reducer with mounting KIT	RD.TAU.KPL	1
3a	FH02 Injector body 1-cyl.	LW.1.BD	6
3b	Inlet manifold nozzle IM	LW.DKL	6
3c	Calibration nozzle 1.5 mm	LW.DK15	6
4a	Filter 1-3 12/7 mm	F3	2
4b	Gas Y-fitting	F.Y	1
5	Manometer VR-C01 set	M	1



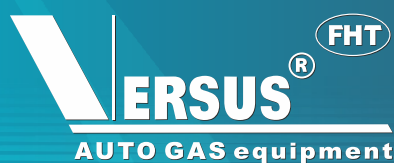
Part name	Part number	Qty	
6a	Water hose ϕ 8 mm	MC.WW8	2 m
6b	Gas hose ϕ 12 mm	MC.WG12	1.5 m
6c	Gas hose ϕ 5 mm	MC.WG5	2.8 m
6d	Gas hose ϕ 6 mm	MC.WG6	3 m
6e	Vacuum hose ϕ 5 mm	MC.WV5	1.5 m
6f	Water T-fitting 16/8/16 mm	MC.T-WOD.M8	2
6g	Metal clamp 12-22	MC.OP12-22	12
6h	Metal clamp 10-16	MC.OP10-16	4
6i	Metal clamp 8-12	MC.OP8-12	12
6j	Pressure hose clamp	MC.OPAML12	14
6k	Vacuum clamp	MC.OP5V	6
6l	Steel pipe support	MC.M	14
6m	Inlet manifold nozzle IM	LW.DKL	1



www.versusgas.com

+48 25 759 42 61

info@versusgas.com



FHT Export-Import
ul. Szczecinska 16G
05-300 Minsk Mazowiecki, POLAND

CNG Maxi KIT

Gas conversion set for 8-cylinder engines

Product: V8CO/TAU/2XFH02-4/F1.1/M/X24.4A

Cat. no.: 8CO/4/5/11/2/78

The most popular KIT dedicated to **8-cylinder** engines **up to 250 HP** power. 2 pcs of Injector FH02-4 cyl. included.

Part name	Part number	Qty
1a ECU V8 OBD	EL.V8.OBD	1
1b Harness P8 CNG OBD	EL.P8.CO	1
1c Map-sensor XFP1	EL.MAP.M	1
1d Reducer's temp. sensor	EL.CTR	1
1e Gas temp. STD sensor	EL.CTG.B	1
1f Fuse 10A	EL.B.10A	1
1g Fuse case	EL.B.OBB	1
1h Change-over switch	EL.SW.OBD	1
1i Spade connector	EL.AK.ZL.Z	2
1j Ring connector	EL.AK.ZL.O	2
1k Connector insulator	EL.AK.OB.EL	2
1l T-fitting for vacuum	EL.AK.TRVAC	1
2 Tauros reducer with mounting KIT	RD.TAU.KPL	1
3a FH02 Injector body 4-cyl.	LW.4.BD	2
3b Inlet manifold nozzle IM	LW.DKL	10
3c FH02 damper	LW.DW	4
3d Calibration nozzle 1.5 mm	LW.DK15	8
4a Filter 1-1 12 mm	F1	2
4b Gas Y-fitting	F.Y	1
5 Manometer VR-C01 set	M	1



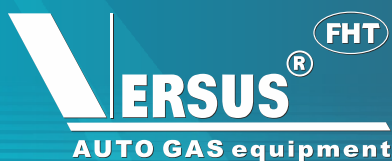
Part name	Part number	Qty
6a Water hose φ8 mm	MC.WW8	2 m
6b Gas hose φ12 mm	MC.WG12	1.8 m
6c Gas hose φ5 mm	MC.WG5	3.2 m
6d Vacuum hose φ5 mm	MC.WV5	1.5 m
6e Water T-fitting 16/8/16 mm	MC.T-WOD.M8	2
6f Metal clamp 12-22	MC.OP12-22	14
6g Metal clamp 10-16	MC.OP10-16	4
6h Pressure hose clamp	MC.OPAML12	18
6i Vacuum clamp	MC.OP5V	6
6j Steel pipe support	MC.M	10



www.versusgas.com

+48 25 759 42 61

info@versusgas.com



FHT Export-Import
ul. Szczecinska 16G
05-300 Minsk Mazowiecki, POLAND

CNG Maxi KIT

Gas conversion set for 8-cylinder engines

Product: V8CO/TAU/4XFH02-2/F1.1/M/X42W

Cat. no.: 8CO/4/7/11/2/78W

The most popular KIT dedicated to **8-cylinder** engines **up to 250 HP** power. 4 pcs of Injector FH02-2 cyl. included.

Part name	Part number	Qty	
1a	ECU V8 OBD	EL.V8.OBD	1
1b	Harness P8 CNG OBD	EL.P8.CO	1
1c	Map-sensor XFP1	EL.MAP.M	1
1d	Reducer's temp. sensor	EL.CTR	1
1e	Gas temp. STD sensor	EL.CTG.B	1
1f	Fuse 10A	EL.B.10A	1
1g	Fuse case	EL.B.OBB	1
1h	Change-over switch	EL.SW.OBD	1
1i	Spade connector	EL.AK.ZL.Z	2
1j	Ring connector	EL.AK.ZL.O	2
1k	Connector insulator	EL.AK.OB.EL	2
1l	T-fitting for vacuum	EL.AK.TRVAC	1
2	Tauros reducer with mounting KIT	RD.TAU.KPL	1
3a	FH02 Injector body 2-cyl.	LW.2.BD	4
3b	Inlet manifold nozzle IM	LW.DKL	10
3c	FH02 damper	LW.DW	4
3d	Calibration nozzle 1.5 mm	LW.DK15	8
3e	Outlet nozzle	RD.00-37	2
4a	Filter 1-1 12 mm	F1	2
4b	Gas Y-fitting	F.Y	1
5	Manometer VR-C01 set	M	1



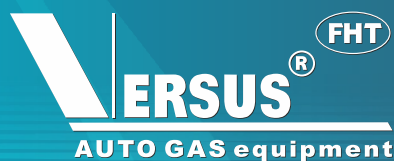
Part name	Part number	Qty	
6a	Water hose φ8 mm	MC.WW8	4 m
6b	Gas hose φ12 mm	MC.WG12	3 m
6c	Gas hose φ5 mm	MC.WG5	6 m
6d	Vacuum hose φ5 mm	MC.WV5	3 m
6e	Water T-fitting 16/8/16 mm	MC.T-WOD.M8	2
6f	Metal clamp 12-22	MC.OP12-22	18
6g	Metal clamp 10-16	MC.OP10-16	4
6h	Pressure hose clamp	MC.OPAML12	18
6i	Vacuum clamp	MC.OP5V	6
6j	Steel pipe support	MC.M	14



www.versusgas.com

+48 25 759 42 61

info@versusgas.com



FHT Export-Import
ul. Szczecinska 16G
05-300 Minsk Mazowiecki, POLAND

CNG Maxi KIT

Gas conversion set for 8-cylinder engines

Product: V8CO.1/TAU/8XFH02-1/2xF4/M/X81X

Cat. no.: 8CO1/4/9/24/2/78X

The most popular KIT dedicated to **8-cylinder** engines **up to 250 HP** power. 8 pcs of Injector FH02-1 cyl. included.

Part name	Part number	Qty	
1a	ECU V8 OBD	EL.V8.OBD	1
1b	Harness P8 CNG OBD	EL.P8.CO	1
1c	Map-sensor XFP1	EL.MAP.M	1
1d	Reducer's temp. sensor	EL.CTR	1
1e	Gas temp. T sensor	EL.CTG.T	1
1f	Fuse 10A	EL.B.10A	1
1g	Fuse case	EL.B.OBB	1
1h	Change-over switch	EL.SW.OBD	1
1i	Spade connector	EL.AK.ZL.Z	2
1j	Ring connector	EL.AK.ZL.O	2
1k	Connector insulator	EL.AK.OB.EL	2
1l	T-fitting for vacuum	EL.AK.TRVAC	1
2	Tauros reducer with mounting KIT	RD.TAU.KPL	1
3a	FH02 Injector body 2-cyl.	LW.2.BD	4
3b	Inlet manifold nozzle IM	LW.DKL	10
3c	FH02 damper	LW.DW	4
3d	Calibration nozzle 1.5 mm	LW.DK15	8
4a	Filter 1-4 12/7 mm	F4	2
4b	Gas Y-fitting	F.Y	1
5	Manometer VR-C01 set	M	1



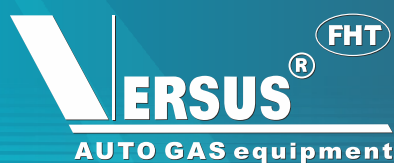
Part name	Part number	Qty	
6a	Water hose φ8 mm	MC.WW8	4 m
6b	Gas hose φ12 mm	MC.WG12	3 m
6c	Gas hose φ5 mm	MC.WG5	6 m
6d	Gas hose φ6 mm	MC.WG6	8 m
6e	Vacuum hose φ5 mm	MC.WV5	3 m
6f	Water T-fitting 16/8/16 mm	MC.T-WOD.M8	2
6g	Metal clamp 12-22	MC.OP12-22	12
6h	Metal clamp 10-16	MC.OP10-16	4
6i	Metal clamp 8-12	MC.OP8-12	16
6j	Pressure hose clamp	MC.OPAML12	18
6k	Vacuum clamp	MC.OP5V	10
6l	Steel pipe support	MC.M	14
6m	Inlet manifold nozzle IM	LW.DKL	1



www.versusgas.com

+48 25 759 42 61

info@versusgas.com



FHT Export-Import
ul. Szczecińska 16G
05-300 Minsk Mazowiecki, POLAND

CNG Maxi KIT

Gas conversion set for 8-cylinder engines

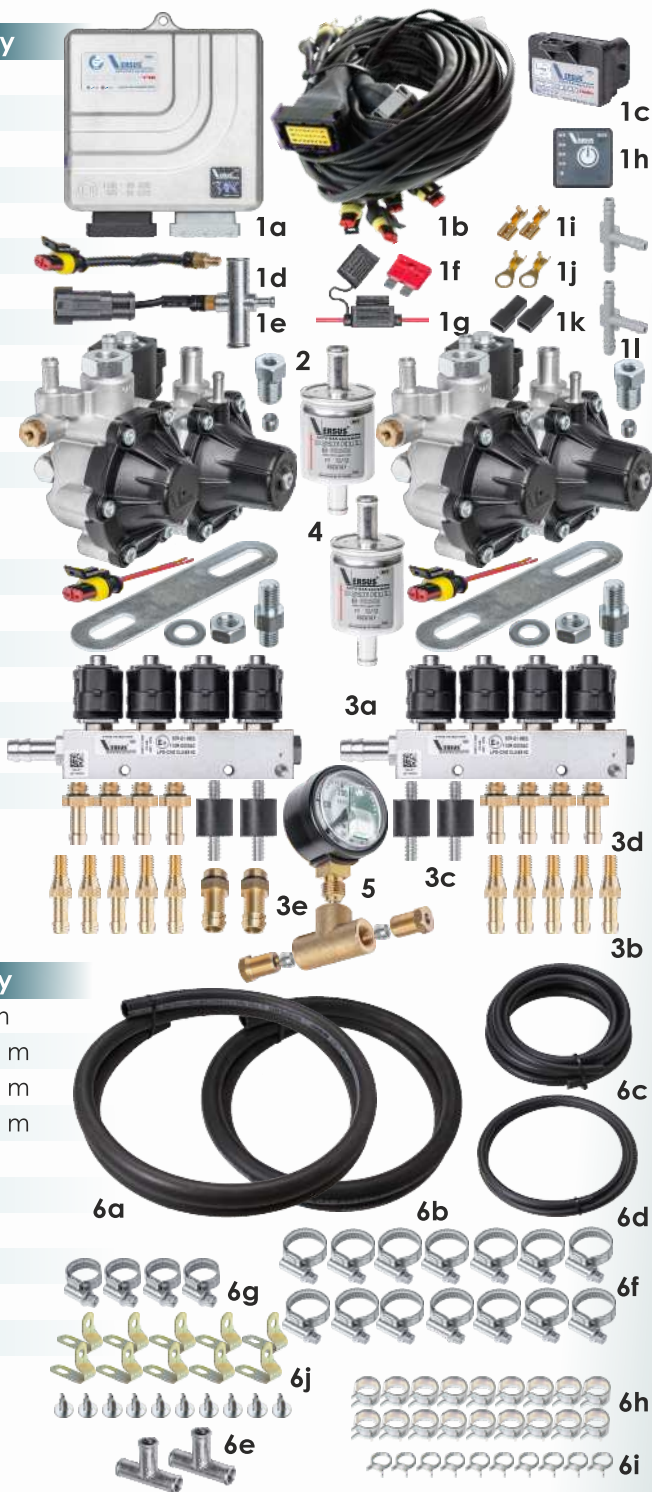
Product: V8CO.4/2TAU/2XFH02-4/2XF1/M/X24.4B

Cat. no.: 8CO4/42/5/21/2/79

Powerful KIT dedicated to **8-cylinder** engines **over 250 HP** power range. 2 pcs of Standard Reducers included.

Part name	Part number	Qty
1a ECU V8 OBD	EL.V8.OBD	1
1b Harness P8 CNG OBD	EL.P8.CO	1
1c Map-sensor XFP1	EL.MAP.M	1
1d Reducer's temp. sensor	EL.CTR	1
1e Gas temp. T sensor	EL.CTG.T	1
1f Fuse 10A	EL.B.10A	1
1g Fuse case	EL.B.OBB	1
1h Change-over switch	EL.SW.OBD	1
1i Spade connector	EL.AK.ZL.Z	2
1j Ring connector	EL.AK.ZL.O	2
1k Connector insulator	EL.AK.OB.EL	2
1l T-fitting for vacuum	EL.AK.TRVAC	2
2 Tauros reducer with mounting KIT	RD.TAU.KPL	2
2b Gas T-fitting 6/8/6mm set	MC.TFIT686SET	1
3a FH02 Injector body 4-cyl.	LW.4.BD	2
3b Inlet manifold nozzle IM	LW.DKL	10
3c FH02 damper	LW.DW	4
3d Calibration nozzle 1.5 mm	LW.DK15	8
3e Output nozzle	RD.00-37	2
4 Filter 1-1 12 mm	F1	2
5 Manometer VR-C01 set	M	1

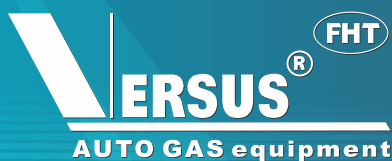
Part name	Part number	Qty
6a Water hose φ8mm	MC.WW8	3 m
6b Gas hose φ12 mm	MC.WG12	2.5 m
6c Gas hose φ5 mm	MC.WG5	3.2 m
6d Vacuum hose φ5 mm	MC.WV5	1.5 m
6e Water T-fitting 16/8/16 mm	MC.T-WOD.M8	2
6f Metal clamp 12-22	MC.OP12-20	16
6g Metal clamp 10-16	MC.OP10-16	6
6h Pressure hose clamp	MC.OPAML12	18
6i Vacuum clamp	MC.OP5V	8
6j Steel pipe support	MC.M	10



www.versusgas.com

+48 25 759 42 61

info@versusgas.com



FHT Export-Import
ul. Szczecinska 16G
05-300 Minsk Mazowiecki, POLAND

CNG Maxi KIT

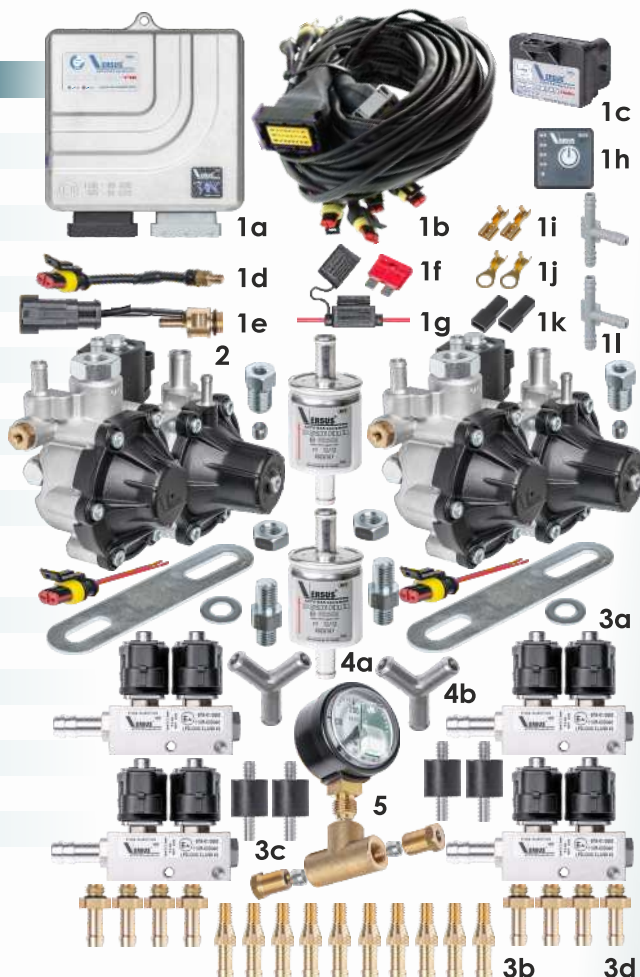
Gas conversion set for 8-cylinder engines

Product: V8CO.5/2TAU/4XFH02-2/2XF1/M/X42Y

Cat. no.: 8CO5/42/7/21/2/79Y

Powerful KIT dedicated to **8-cylinder** engines **over 250 HP** power range. 2 pcs of Standard Reducers included..

Part name	Part number	Qty
1a ECU V8 OBD	EL.V8.OBD	1
1b Harness P8 CNG OBD	EL.P8.CO	1
1c Map-sensor XFP1	EL.MAP.M	1
1d Reducer's temp. sensor	EL.CTR	1
1e Gas temp. STD sensor	EL.CTG.B	1
1f Fuse 10A	EL.B.10A	1
1g Fuse case	EL.B.OBB	1
1h Change-over switch	EL.SW.OBD	1
1i Spade connector	EL.AK.ZL.Z	2
1j Ring connector	EL.AK.ZL.O	2
1k Connector insulator	EL.AK.OB.EL	2
1l T-fitting for vacuum	EL.AK.TRVAC	2
2 Tauros reducer with mounting KIT	RD.TAU.KPL	2
2b Gas T-fitting 6/8/6mm set	MC.TFIT686SET	1
3a FH02 Injector body 2-cyl.	LW.4.BD	4
3b Inlet manifold nozzle IM	LW.DKL	10
3c FH02 damper	LW.DW	4
3d Calibration nozzle 1.5 mm	LW.DK15	8
4a Filter 1-1 12 mm	F1	2
4b Gas Y-Fitting	F.Y	2
5 Manometer VR-C01 set	M	1



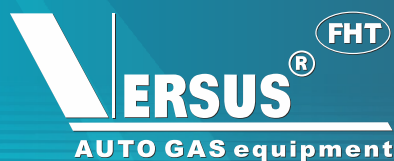
Part name	Part number	Qty
6a Water hose φ8 mm	MC.WW8	6 m
6b Gas hose φ12 mm	MC.WG12	6 m
6c Gas hose φ5 mm	MC.WG5	9 m
6d Vacuum hose φ5 mm	MC.WV5	5 m
6e Water T-fitting 16/8/16 mm	MC.T-WOD.M8	2
6f Metal clamp 12-22	MC.OP12-22	22
6g Metal clamp 10-16	MC.OP10-16	6
6h Pressure hose clamp	MC.OPAML12	18
6i Vacuum clamp	MC.OP5V	10
6j Steel pipe support	MC.M	14



www.versusgas.com

+48 25 759 42 61

info@versusgas.com



FHT Export-Import
ul. Szczecinska 16G
05-300 Minsk Mazowiecki, POLAND

CNG Maxi KIT

Gas conversion set for 8-cylinder engines

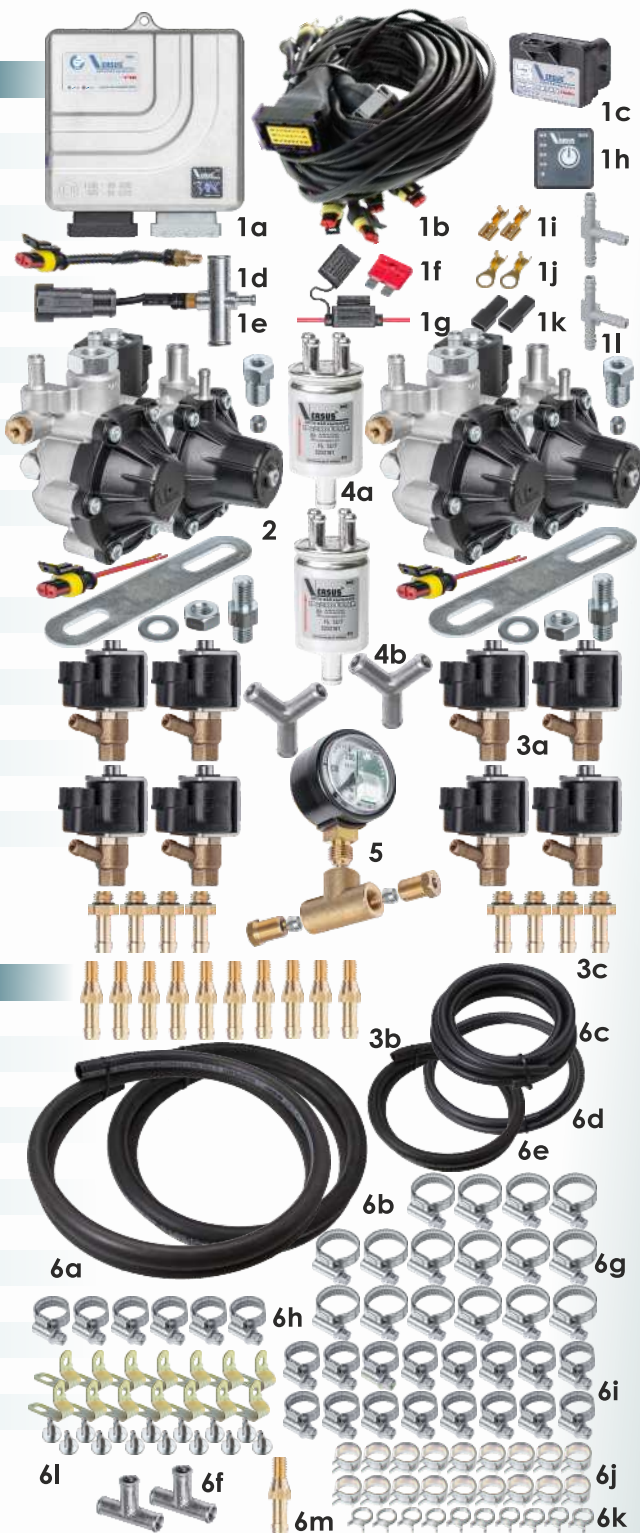
Product: V8CO.4/2TAU/8XFH02-1/2XF4/M/X81Z

Cat. no.: 8CO4/42/9/24/2/79Z

Powerful KIT dedicated to **8-cylinder** engines **over 250 HP** power range. 2 pcs of Standard Reducers included.

Part name	Part number	Qty
1a ECU V8 OBD	EL.V8.OBD	1
1b Harness P8 CNG OBD	EL.P8.CO	1
1c Map-sensor XFP1	EL.MAP.M	1
1d Reducer's temp. sensor	EL.CTR	1
1e Gas temp. T sensor	EL.CTG.T	1
1f Fuse 10A	EL.B.10A	1
1g Fuse case	EL.B.OBB	1
1h Change-over switch	EL.SW.OBD	1
1i Spade connector	EL.AK.ZL.Z	2
1j Ring connector	EL.AK.ZL.O	2
1k Connector insulator	EL.AK.OB.EL	2
1l T-fitting for vacuum	EL.AK.TRVAC	2
2a Tauros reducer with mounting KIT	RD.TAU.KPL	2
2b Gas T-fitting 6/8/6mm set	MC.TFIT686SET	1
3a FH02 Injector body 1-cyl.	LW.1.BD	8
3b Inlet manifold nozzle IM	LW.DKL	10
3c Calibration nozzle 1.5 mm	LW.DK15	8
4a Filter 1-4 12/7 mm	F4	2
4b Gas Y-Fitting	F.Y	2
5 Manometer VR-C01 set	M	1

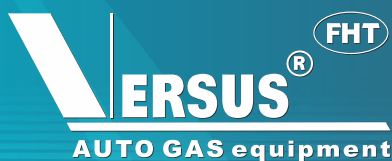
Part name	Part number	Qty
6a Water hose φ8 mm	MC.WW8	6 m
6b Gas hose φ12 mm	MC.WG12	5 m
6c Gas hose φ5 mm	MC.WG5	8 m
6d Gas hose φ6 mm	MC.WG6	8 m
6e Vacuum hose φ5 mm	MC.WV5	5 m
6f Water T-fitting 16/8/16 mm	MC.T-WOD.M8	2
6g Metal clamp 12-22	MC.OP12-22	16
6h Metal clamp 10-16	MC.OP10-16	6
6i Metal clamp 8-12	MC.OP8-12	16
6j Pressure hose clamp	MC.OPAML12	18
6k Vacuum clamp	MC.OP5V	10
6l Steel pipe support	MC.M	14
6m Inlet manifold nozzle IM	LW.DKL	1




www.versusgas.com

+48 25 759 42 61

info@versusgas.com



FHT Export-Import
ul. Szczecinska 16G
05-300 Minsk Mazowiecki, POLAND



We offer full assortment of Gas installation parts and accessories.
Detailed catalogue will be sent upon the request.
For more details please contact us:

Orders: trade@versusgas.com

Inquiries info@versusgas.com



Website: www.versusgas.com

FHT Versus Gas reserves the right to make any modification/improvement into its products at any time on the basis of its own assessment, without prior notice. The pictures, descriptions, product codes, technical data that are contained in this catalog are the property of FHT Versus Gas. Copying of this property is prohibited without prior written permission.

www.versusgas.com

| +48 25 759 42 61

| info@versusgas.com

 **VERSUS**[®] 
AUTO GAS equipment

FHT Export-Import
ul. Szczecińska 16G
05-300 Minsk Mazowiecki, POLAND